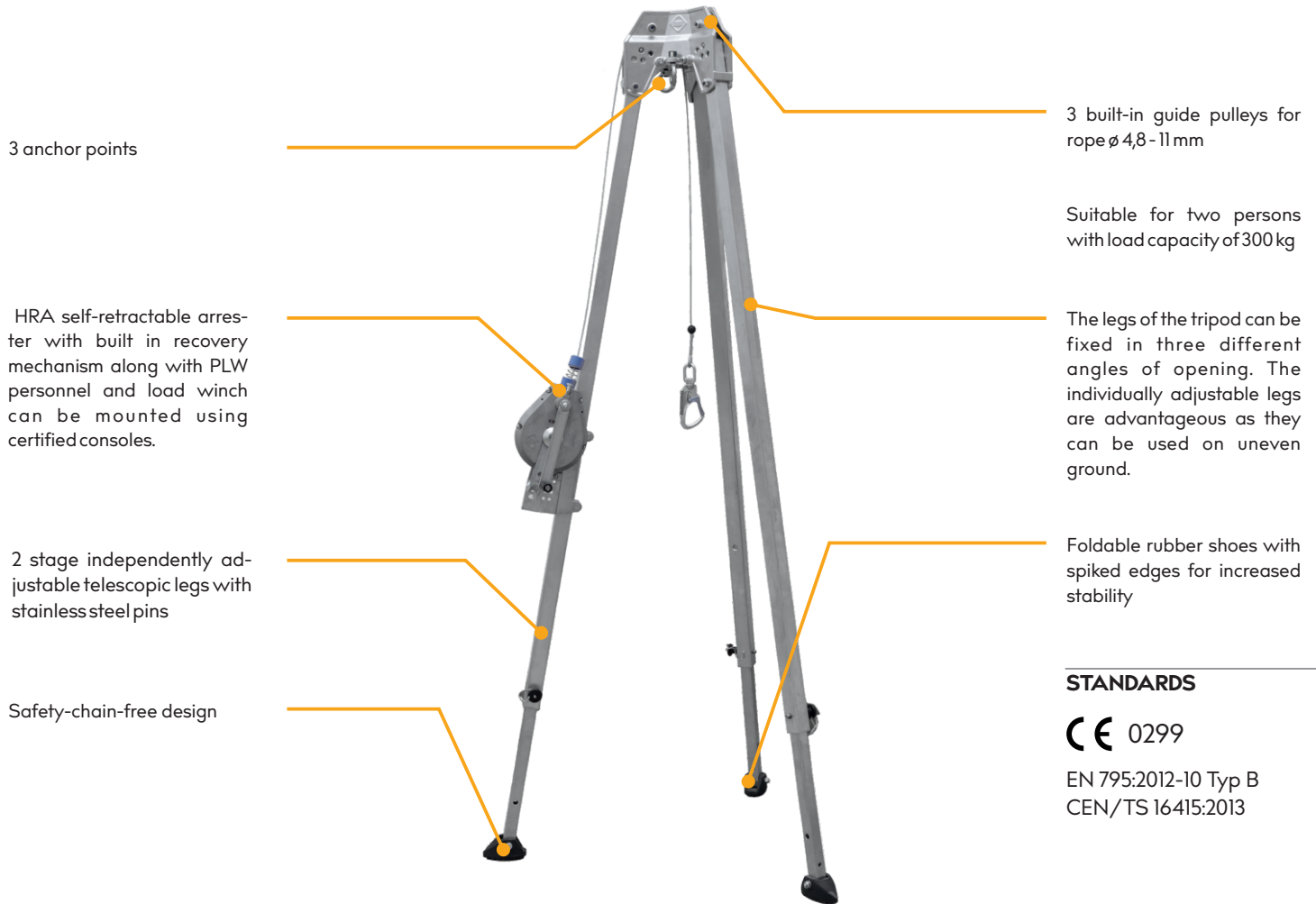


DB-A3 Tripod

Portable tripod with adjustable locking legs and 3 integrated pulleys.

DESCRIPTION



STANDARDS

CE 0299

EN 795:2012-10 Typ B
CEN/TS 16415:2013


KEY FEATURES

- Suitable for 2 persons
- 3 build- in pulleys
- SWL: 300 kg
- Safety-chain-free design
- Unlimited lifetime


FEATURES



WLL
300 kg



NO
unique production
number



2
YEARS
warranty



24 kg / 847 oz

TECHNICAL DATA

