



# REACTOR 140

It belongs to the category of shock absorbers. Lightweight, practical shape does not restrict users at the work. Designed for users with a maximum weight of 140 kg (including equipment). Optional length of lanyards for diverse work. Newly tested for horizontal use and a resulting simulated fall over edge.

## DESCRIPTION

Shock absorber used primarily by workers on a structure, ladders and pylons.

Cover is made from black synthetic rubber and Cordura with PU coating.

Shock absorber is designed to capture safely a person weighting 140 kg (including equipment).

Maximum active breaking length of shock absorber is 175 cm.

Orange indicator is threaded through the attaching eyes and indicates an actual damage.



Any EN362 certified connector can be sewn into this loop.

Oval design for easy grip.

Zipper around the perimeter of the cover for easy inspection of energy absorber.



Intact, orange indicator of energy absorber activation.

## KEY FEATURES

- Lightweight 170 g
- For user max. 140 kg
- Maximal length inc. 2 m

## STANDARDS

CE 1019  
EN 355:2002

## FEATURES



140 kg



170 g / 6 oz



one person only



optional length depending on the model



unique numbers



3 YEARS guarantee

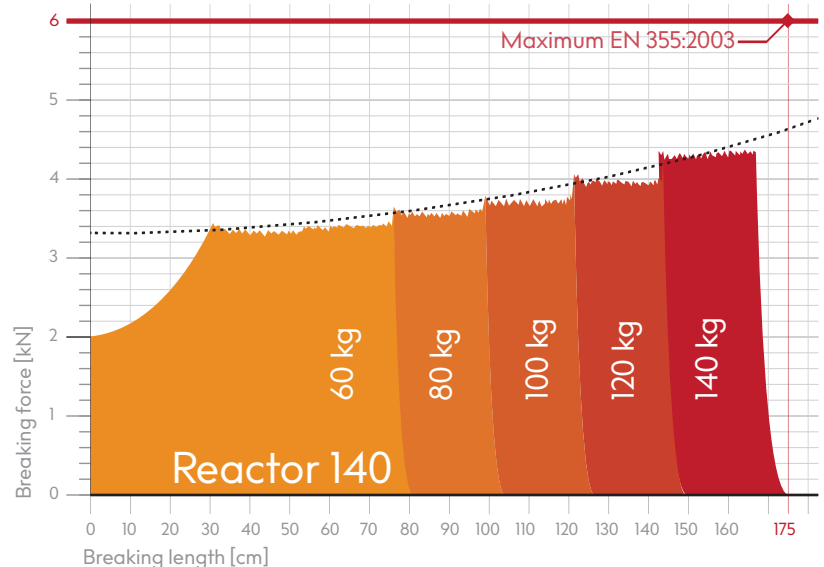
## MATERIALS



- 85 % polyamide
- 13 % polyester
- 1 % powder coated steel
- 1 % syntetic rubber

## TECHNICAL DATA

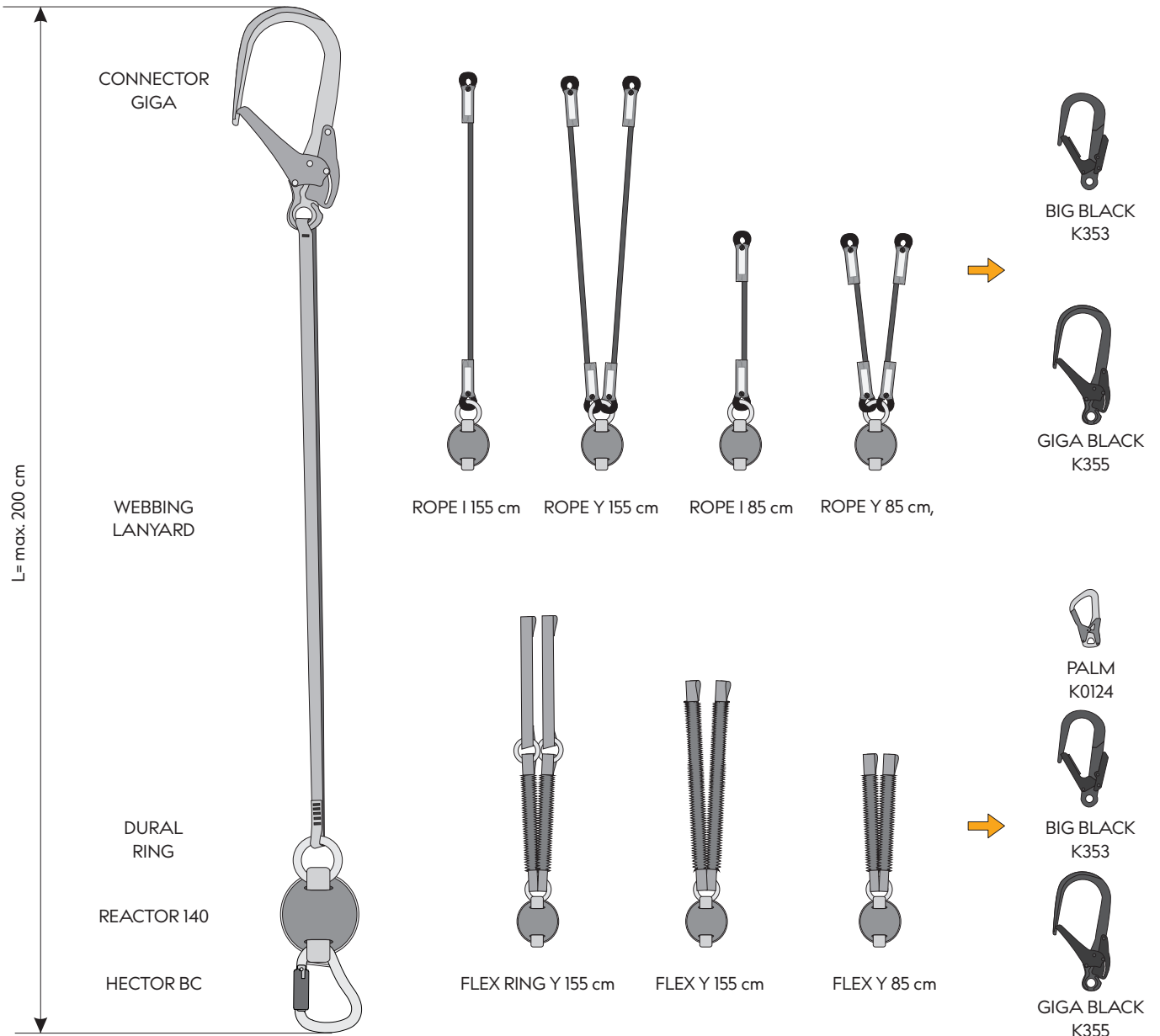
The mass falls 4 m



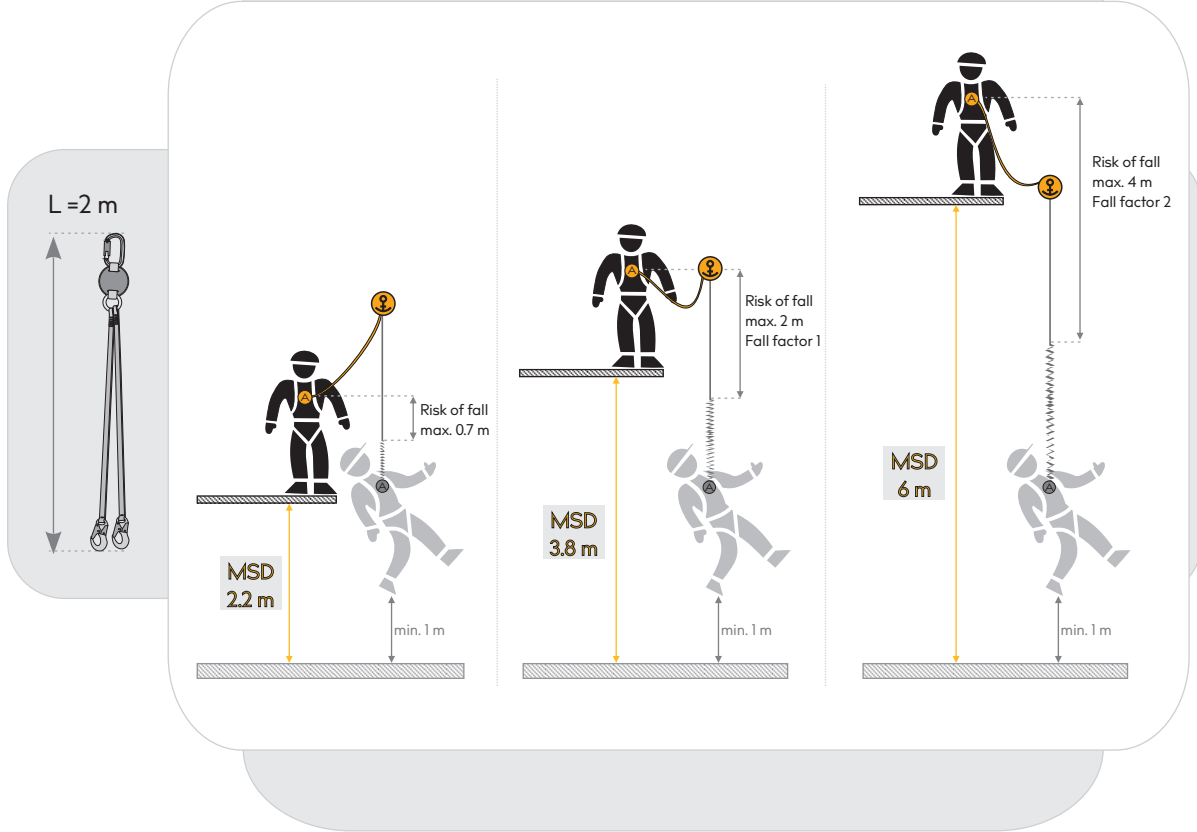
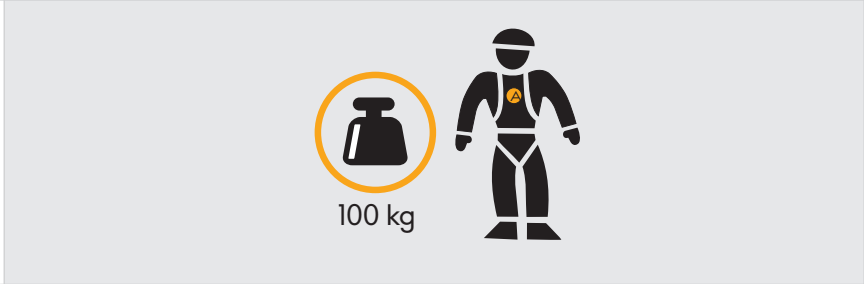
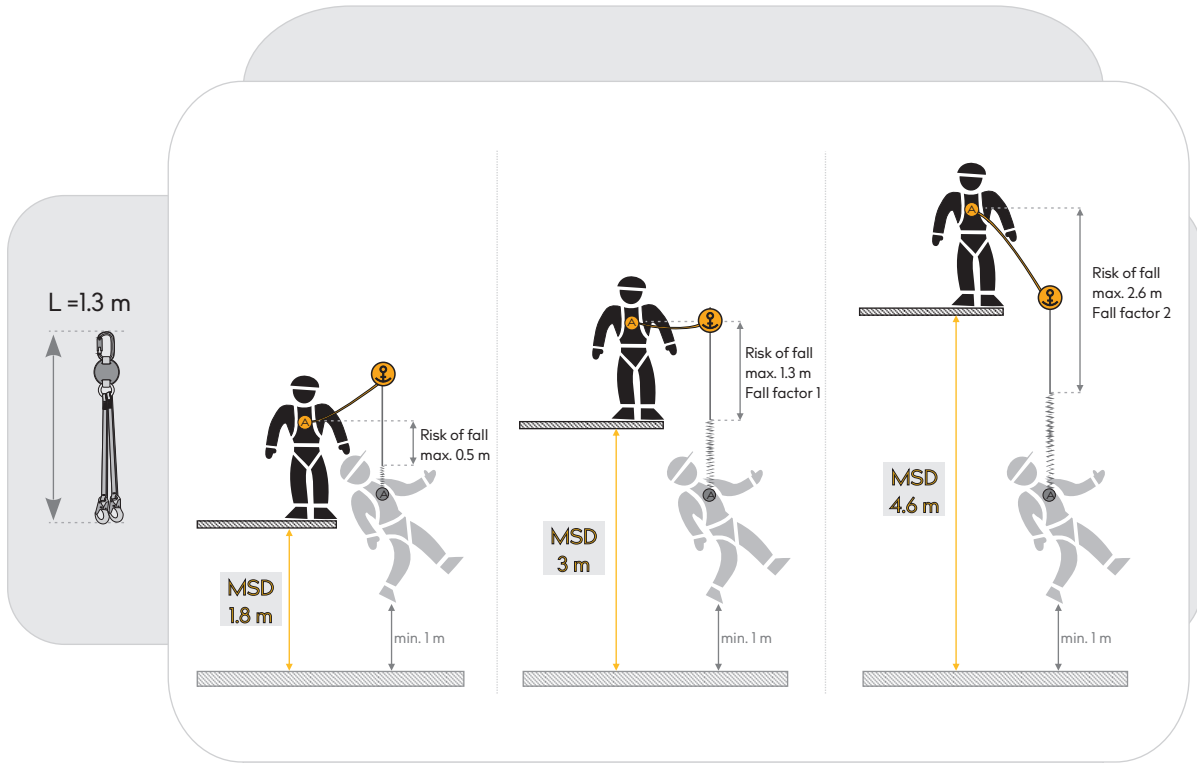
## TABLE OF SIZES

TYPE	CODE	CONNECTORS	LENGTH OF SYSTEM [cm]	WEIGHT [g]	RFU 11.074
"I" 85 cm	W4410W085	-	85	250	✓
	W4411W085	K370	100	400	✓
	W4412W085	K353	110	750	✓
	W4413W085	K355	120	1230	✓
"I" 155 cm	W4410W155	-	155	290	✓
	W4411W155	K370	170	440	✓
	W4412W155	K353	180	830	✓
	W4413W155	K355	190	1270	✓
"Y" 85 cm	W4420W085	-	85	210	✓
	W4421W085	2× K370	100	610	✓
	W4422W085	2× K353	110	1290	✓
	W4423W085	2× K355	120	2210	✓
"Y" 155 cm	W4420W155	-	155	390	✓
	W4421W155	2× K370	170	690	✓
	W4422W155	2× K353	180	1390	✓
	W4423W155	2× K355	190	2310	✓
EYE "Y" 155 cm	W4430W155	-	155	390	✓
	W4433W155	2× K355	190	2310	✓
RING "Y" 155 cm	W4440W155	-	155	530	✓
	W4441W155	2× K370	170	830	✓
	W4442W155	2× K353	180	1510	✓
ROPE "I" 85 cm	W4450X085	-	85	290	✗
	W4452X085	K353 black	110	790	✗
	W4453X085	K355 black	120	1260	✗
ROPE "I" 155 cm	W4450X155	-	155	370	✗
	W4452X155	K353 black	180	870	✗
	W4453X155	K355 black	190	1340	✗
ROPE "Y" 85 cm	W4460X085	-	85	400	✗
	W4462X085	2× K353 black	110	1400	✗
	W4463X085	2× K355 black	120	2340	✗
ROPE "Y" 155 cm	W4460X155	-	155	520	✗
	W4462X155	2× K353 black	180	1520	✗
	W4463X155	2× K355 black	190	2460	✗
ADJUST	W4470Y100	-	100-160	420	✓
	W4471Y100	1× K370	115-175	570	✓
	W4472Y100	1× K353	125-185	920	✓
	W4474Y100	1× K0124	115-175	537	✓
FLEX "Y" 85 cm	W4480X085	-	85	330	✓
	W4482X085	2× K353 black	110	1355	✓
	W4483X085	2× K355 black	120	2255	✓
	W4484X085	2× K0124	100	565	✓
FLEX "Y" 155 cm	W4480X155	-	155	430	✓
	W4482X155	2× K353 black	180	1425	✓
	W4483X155	2× K355 black	190	2350	✓
	W4484X155	2× K0124	170	665	✓
FLEX RING "Y" 155 cm	W4490W155	-	155	430	✓
	W4492W155	2× K353 black	180	1425	✓
	W4493W155	2× K355 black	190	2350	✓
	W4494W155	2× K0124	170	665	✓

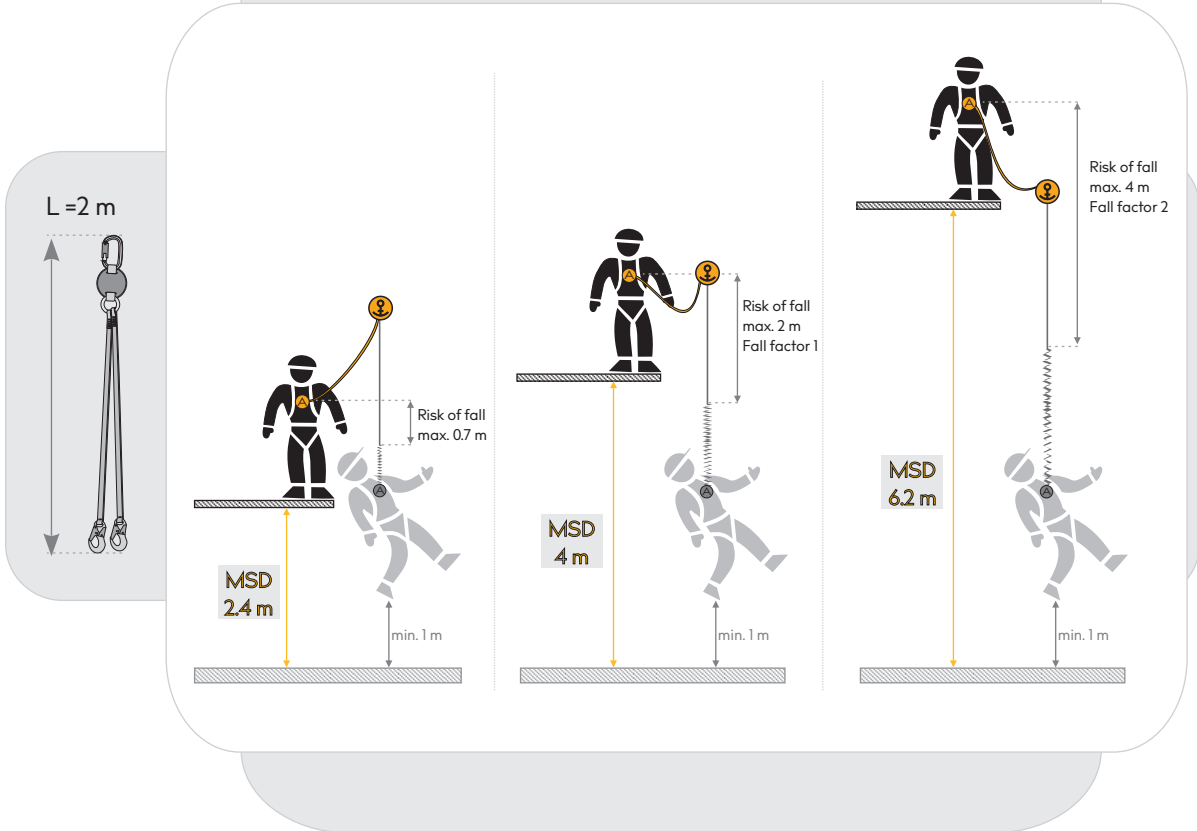
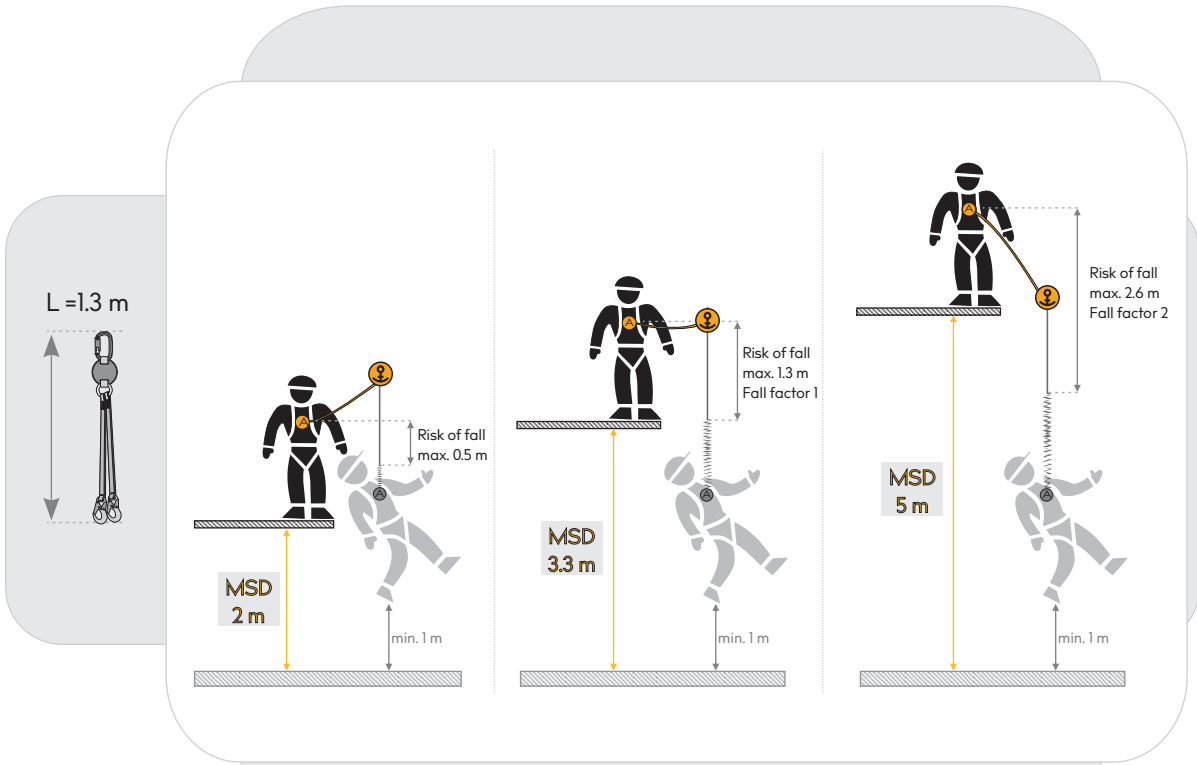
LANYARDS AND CONNECTORS



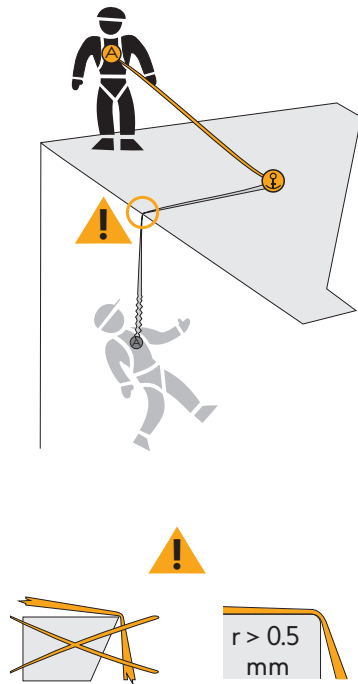
MINIMAL SAFETY DISTANCE FOR 100 KG



MINIMAL SAFETY DISTANCE FOR 140 KG



## RFU 11.074

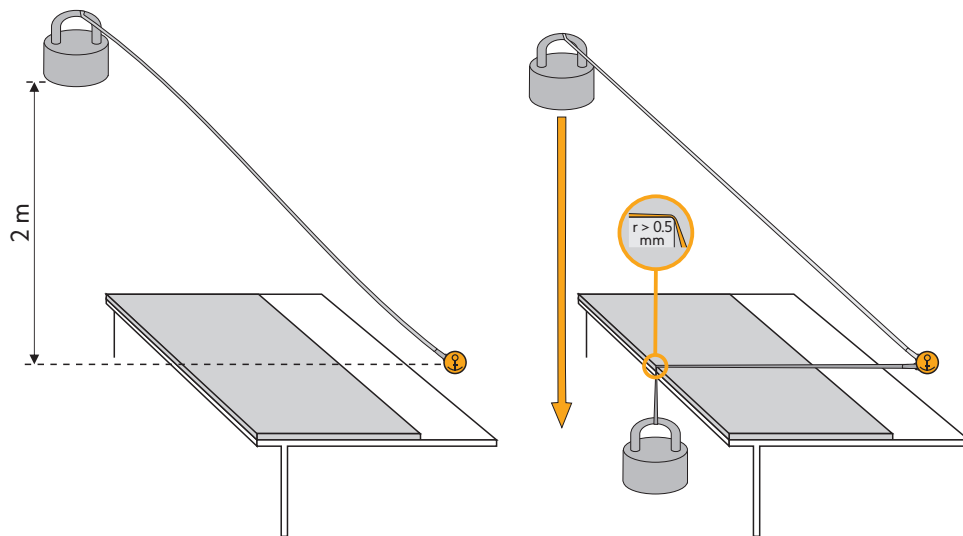


The lanyard and energy absorber in table has been successfully tested for horizontal use and a resulting simulated fall over an edge.

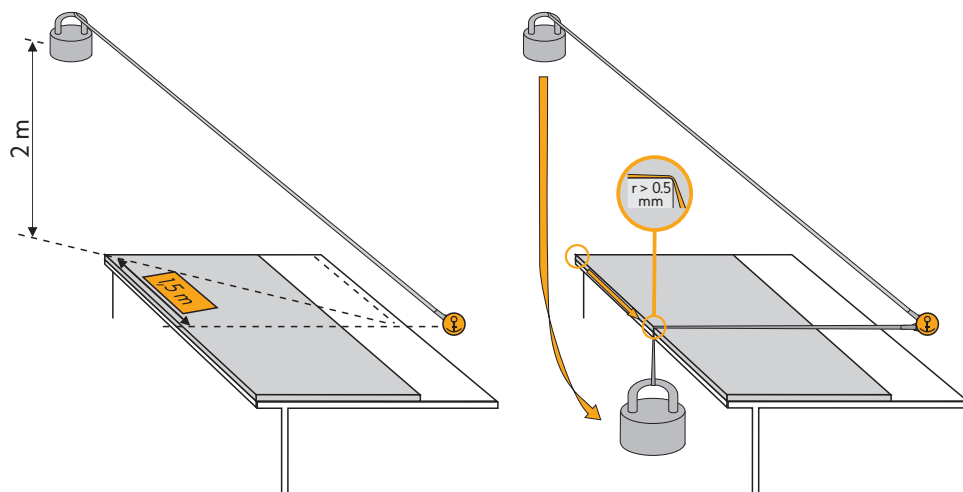
A steel bar with a radius of  $r = 0.5 \text{ mm}$  with no burrs and mass 100 kg and 140 kg was used in these tests. On the basis of this test, the lanyard with energy absorber is suitable for use over similar edges such as rolled steel profiles, wooden beams or a clad, rounded proof parapet. Notwithstanding this test, the following must be taken into account with a horizontal or oblique use where there is a risk of falling over an edge.

1. Before start of work make a risk assesmet, if is the risk of particular sharp edge (e.g. unclad proof parapet or sharp concrete edge) is necessary eliminate risk of falling over the edge or an edge protection should by mounted before the start of work. In case of doubt contact the manufacturer.
2. The anchor point for the lanyard and energy absorber may not be below the user's stand level. (e.g. platform, flat roof).
3. The deflection at the edge (measured between the two legs of the fastener / mobile guide) must be at least  $90^\circ$ .
4. The necessary free space beneath the edge.
5. The lanyard must always be used in such a way that there is no slack rope. If the lanyard is equipped with a length adjustment device, this may only be used if the user is not moving in the direction of the fall edge.
6. To prevent a pendulum fall, the working area and lateral movements from the median axis on both sides should be limited in each case to a max. of 1.50 m. In other cases, no individual anchor points should be used but rather a Class C or D anchor device pursuant to EN 795:2012.
7. Note: If the lanyard/energy absorber is used with a Class C anchor device pursuant to EN 795:2012 with a horizontal flexible anchor line, the deflection of the anchor device must also be taken into account when determining the necessary clearance beneath the user. Pay attention to the details in the instructions of use of the anchor device.
8. Note: After a fall over an edge there is a risk of injuries during capture if the falling person knocks against parts of the building or construction.
9. Special rescue measures are to be stipulated and trained in the event of a fall over an edge.

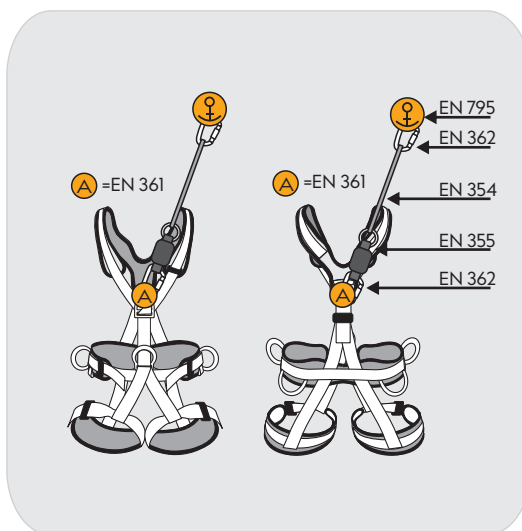
## RFU 11.074 Test no.1



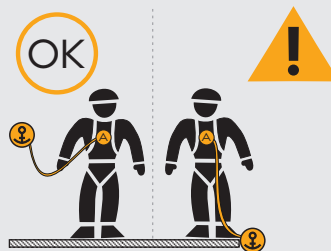
## RFU 11.074 Test no.2



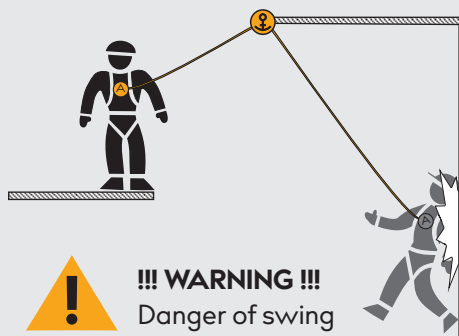
## WARNINGS AND RECOMMENDATIONS



min. 2 people in  
the workplace  
min. 2 osoby na  
pracovišti



It is not recommended  
fall factor greater than 1.  
Není doporučovaný  
pádový faktor větší než 1.



**!!! WARNING !!!**  
Danger of swing

